

ZUPTOR



www.zuptor.pl

LINES FOR FEED PREPARATION
SCREW CONVEYORS
STOCK SCALES
SILOS

MIXERS

Vertical feed mixer (1000 kg) with charging hopper for ingredients on a feeding screw

- self-cleaning filtering system (maximum dust reduction)
- quick ingredient feeding through charging hopper (300 kg/min)
- quick feed unloading (1t/3min)
- emptying valve in mixer bottom
- oiling up to 5%
- anti-suspension of feed system

Gold Medal AGROTECH



Gold Medal AGROTECH



Vertical mixer (3000 kg)

- anti-suspension of feed system
- filtering system selection: upper or lower
- short mixing time
- emptying valve in mixer bottom
- two discharges: main and emergency
- clients themselves decide about mixer configuration (inlet, basket for additives, motor, main output)
- possibility of scale connection (option)

Technical data	Unit of measure	Vertical feed mixer								
		500 kg	750 kg	1000 kg	1300 kg	1500 kg	2000 kg	2000 kg obniżony	2500 kg	3000 kg
Type		H024	H024/1	H024/2	H024/7	H024/3	H024/4	H024/4	H024/5	H024/6
Capacity	m³	1,3	1,7	2,1	2,6	2,85	3,8	3,8	4,9	6,0
Motor	kW	2,2	2,2	3	3	4	4	4	5,5	5,5
Mixing time	min.	10	10	12	12	15	20	20	20	23
Mixer diameter	m	1,50	1,50	1,50	1,60	1,60	1,60	1,80	1,80	1,80
Height with top dust extraction	m	4,50	4,30	4,50	4,50	5,00	5,50	5,00	5,50	6,00
Height with bottom dust extraction	m	2,70	2,50	2,70	2,70	3,20	3,70	3,20	3,70	4,30

ADDITIONAL EQUIPMENT FOR VERTICAL MIXER



Timer automatically switches off the unit when mixing process is done



Emergency discharge ready to connect to an unloading screw conveyor



Bagging machine makes it easier to unload ready feed into bags and eliminates dust



Pouring over charging hopper facilitates adding oil to the feed



"Loosening" knife prevents feed bridging inside the tapered section of the mixer

Horizontal mixer, 100 kg and 300 kg version



Horizontal mixer, version from 500 kg to 2000 kg



- perfectly mixed feed - 1:100 000
- fast mixing time
- complete emptying of mixer chamber
- robust design
- high workmanship quality
- possibility of scale connection (option)
- oiling up to 5%

Technical data	Unit of measure	Horizontal feed mixer					
		100 kg	300 kg	500 kg	1000 kg	1500 kg	2000 kg
Type		H710/3	H710/2	H710/1	H710	H710/5	H710/6
Capacity	m³	0,20	0,50	1,2	2,2	3,3	4,5
Motor	kW	2,2	3,0	5,5	11,0	18,5	22,5
Mixing time	min.	4 – 6	4 – 6	4 – 6	4 – 6	4 – 6	4 – 6
Mixing ribbon	rpm	27,4	28,8	25	25	25	25
Gear-motor		flat cylindrical	flat cylindrical	cylindrical	cylindrical	cylindrical	cylindrical
Length	mm	1520	1670	1900	2300	2750	3280
Width	mm	695	880	1350	1600	1800	2030
Height	mm	1150	1510	1710	1800	2000	2300

ADDITIONAL EQUIPMENT FOR HORIZONTAL MIXER



Steps with service platform



Basket for micro-additives



Feeding screw with charging hopper



Cyclone tank with filtering system

FEED MILLS

Suction-pressure beater mill, version from 7.5 kW to 15 kW



Gold Medal AGROTECH

Suction-pressure beater mill, version from 18.5 kW to 30 kW



Gold Medal AGROTECH

- ground material is cool as a result of using slotted sieves and ventilation chamber
- a strengthened version for high output is available (option)
- maximum sieve area
- guaranteed high efficiency
- possibility to use metallic pressure pipe (option)
- spare parts are shipped within 24h
- possibility of suction way extension up to 50 m – **NEW!**

Technical data	Unit of measure	Suction-pressure beater mill				
		11 kW	15 kW	18,5 kW	22 kW	30 kW
Type		H 105/1	H 105/2	H 105/3	H 105/4	H 105/5
Output*	kg/h	do 1200	do 1600	do 1800	do 2000	do 3000
Maximum suction length	m	15	15	20	20	20
Maximum pumping length	m	7	7	7	7	10
Number of beaters	pcs.	20	28	36	40	40
Size of slotted sieves	mm	1,8 – 5	1,8 – 5	1,8 – 5	1,8 – 5	1,8 – 5
Size of sieve screen	∅	3 – 20	3 – 20	3 – 20	3 – 20	3 – 20
Required protection	A	25	35	45	45	63

*output specified for wheat with relative humidity of up to 14%, for suction length of 8 metres, with sieve screen ∅ 6 or slotted screen 2 mm

ADDITIONAL EQUIPMENT FOR SUCTION-PRESSURE BEATER MILL



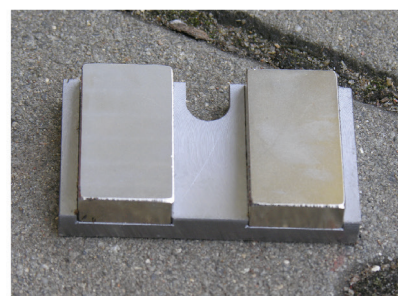
Strengthened version of the beater mill increases its service life by 3



Multi-way suction separator, versions from 2 to 6 ways



Suction nozzle drawing grain from flat-bottomed silo



Magnet fitted in impurity catcher



Gravity (feed) beater mill

- high efficiency and throughput
- uniform structure of ground material
- energy-saving
- double magnetic catcher employed
- possibility to use an inverter (option)
- possibility of strengthened hammers guarantee longer service life – **NEW!**

Technical data	Unit of measure	Gravity beater mill			
		11 kW	15 kW	18,5 kW	22 kW
Type		RG11	RG15	RG18,5	RG22
Output*	kg/h	do 2000	do 2500	do 3000	do 3500
Size of sieve screens	∅	5 – 20	5 – 20	5 – 20	5 – 20
Required protection	A	25	35	45	45
Motor speed	rpm	2900	2900	2900	2900
Number of beaters	pcs.	40	40	40	56
Length	mm	360	360	360	360
Height	mm	1786	1786	1786	1786



*output specified for wheat with relative humidity of up to 14%, with sieve screen ∅ 6 or slotted screen 2,2 mm

FEED TANK FOR GRAIN



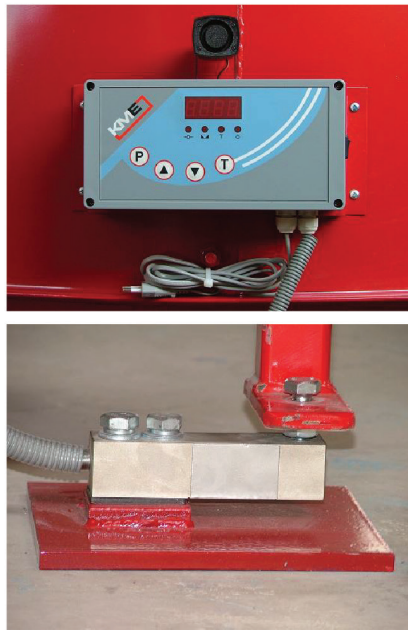
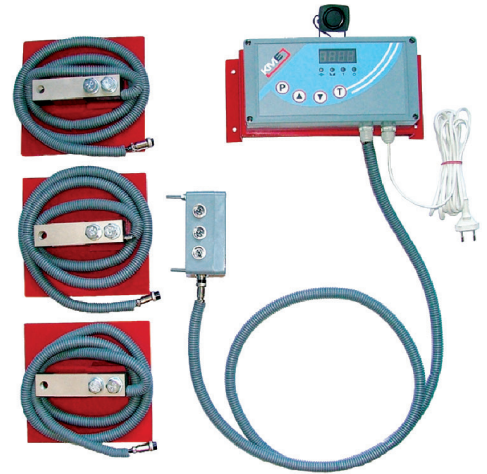
- ready to work with suction-pressure feed mill
- free choice of size and shape
- possibility of scale connection (option)
- possibility to install filling sensor (option)



Technical data	Unit of measure	Capacity of round tank					
		600 kg	800 kg	1000 kg	1500 kg	2000 kg	3000 kg
Diameter	mm	1500	1500	1500	1600	1600	1800
Height	mm	1110	1240	1410	1940	2490	2730
Number of legs	pcs.	3	3	3	3	4	4

ELECTRONIC SCALES UNDER MIXER

Technical data	Unit of measure	Scales type	
		KME – 3	KME – 4
Weight measurement range	kg	0 – 3000	
Scale interval	kg	1	
Programming: recipe/ingredients	pcs.	5 / 5	
Working temperature range	°C	from -10 to +35	
Number of sensors	pcs.	3	4



- weighing accuracy up to 0.1%
- acoustic signalling device as standard
- programming of 5 recipes, 5 ingredients each
- possibility to program 16 recipes, 10 ingredients each (option)
- weighing of feed portion during mixer unloading – **NEW!**
- easy and simple installation

FEED GREASING MACHINE

- output 10 – 15 l/min
- ready to connect a 1000-litre tank
- installed 1500 W heater with thermostat
- time-controlled or volume dosage (option)
- insulation is possible by application of a thermo-insulating layer (option)
- possibility to install a flowmeter (option)
- works with 1 to 5 mixers

Technical data	Unit of measure	Greasing machine type
		NT – 300
Container capacity	litres	300
Pump delivery	l/min.	10 – 15
Pump pressure	MPA	0,286
Motor power	kW	0,55



AUTOMATIC FEED MIXING PLANT (AMP)

- automatic control for the processes: dosage, milling and mixing
- large, touch type, graphic operator's panel Vision 350
- simple, intuitive menu operation
- any number of recipes with any number of ingredients
- every control system is designed individually to match client's individual needs
- possibility to connect the unit to a computer
- all messages displayed in English language



MILLING-MIXING COMPACT (KRM)



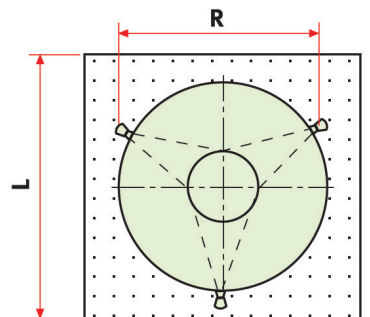
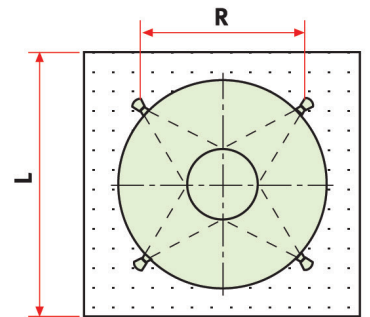
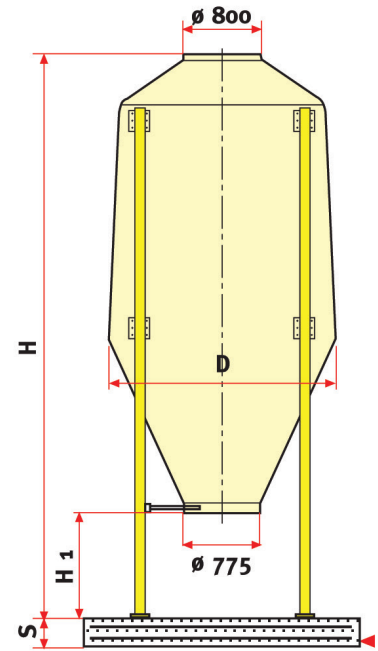
AUTOMATIC SUCTION SEPARATOR (ARS)

- automatic grain drawing from several silos, tanks or heaps
- works with any suction-pressure hammer mill
- automatic mill shutdown after completion of dosage process
- separator available in 5 and 9-way version
- possibility of setting worktime at any time, e.g. at night using cheaper electricity tariff – **NEW!**



GLASS FIBRE SILO

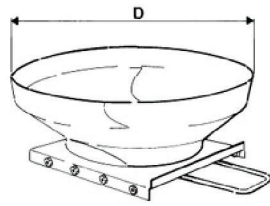
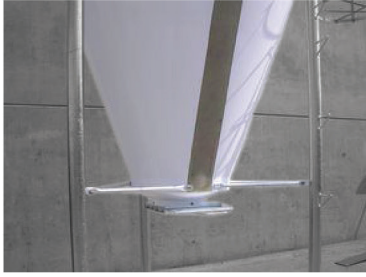
- long service life – even 30 years
- smooth walls – no feed bridging
- reduced steam condensation to minimum
- easy to check filling level
- possibility of scale connection (option)
- very good mechanical strength
- high thermal insulation
- high level of hygiene
- corrosion and UV free



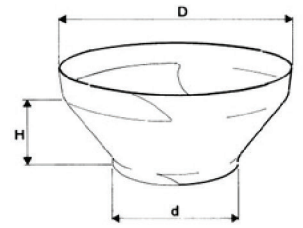
PARAMETERS

CAPACITY		LEGS	SILO DIMENSIONS				DIMENSIONS OF CEMENT FOOTING UNDER THE SILO	
m ³	t	pcs.	H	H1	D	R	L	S
3,5	2,1	3	3900	1080	1500	1400	2500	200
6	3,6	3	4400	1080	1700	1600	2500	200
10	6,0	3	5400	1080	2000	1850	2800	300
15	9,0	3	6400	1080	2200	2000	3000	300
20	12,0	4	7500	1080	2400	1800	3000	300
25	15,0	4	8000	1080	2600	2000	3000	400
40	24,0	4	8400	800	3000	2300	4000	500
52	31,2	4	9800	800	3000	2300	4000	500

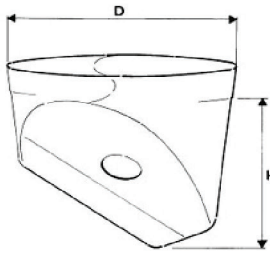
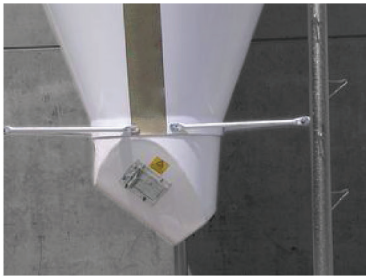
SHOES UNDER THE SILO



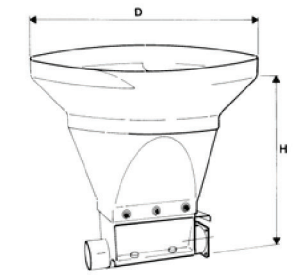
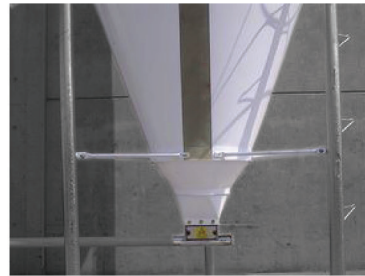
Shoe with drawer type closing valve



Adapter shoe reducing diameter



Shoe to feeding screw, angle range from 20° to 60°



Shoe with connected feed pipeline component

SCREW CONVEYORS

- galvanized
- working angle 90°
- high quality
- adjustable support

Technical details	Units	Diameter of conveyor	
		Ø 100	Ø 150
Capacity	t/h	7 - 12	8 - 25
Length	mb	4 - 10	4 - 10
Motor	kW	from 1,1 kW	from 1,5 kW
Possible working angle		0 - 90°	0 - 90°

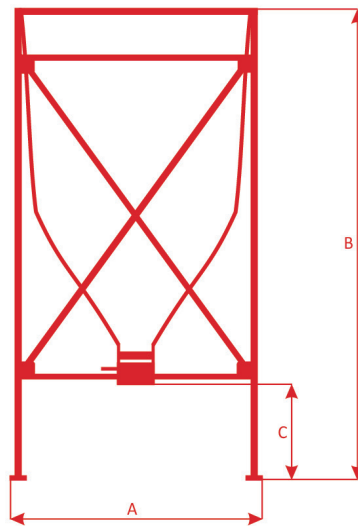


Screw conveyor with hopper (PSK)



Screw conveyor with inlet (PSC)

FABRIC SILO



- elastic and breathable material
- any diameter available at discharge
- resistant to mildew and water condensation
- robust design and compact size
- simple and quick installation
- dust-free filling
- low purchase cost

Technical data	Unit of measure	Fabric silo				
		1 t	2 t	3 t	4,5 t	5,5 t
Type		ST-1	ST-2	ST-3	ST-4	ST-5
Capacity	m ³	2,1	3,2	5,5	7,7	9,7
Size A	mm	1800	1800	2100	2200	2200
Size B	mm	3000	3500	4000	4500	5000
Size C	mm	700	700	700	800	800
Weight	kg	130	170	200	250	270

STOCK SCALES



- quick and accurate animal weighing
- display with stable measurement function (result lock)
- high strength owing to reinforced structure
- anti-slip floor made of chequer plate
- possibility to connect the unit directly to a printer or computer (option)
- castors for easy handling (option)
- option of scales with different dimensions and weighing range
- scales are made of galvanised steel or acid-proof sheet (option)

Technical data	Unit of measure	Scales for flock weighing	Scales for cattle weighing
Weight measurement range	kg	0 - 1000	0 – 1500
Scale interval	kg	1	1
Stable measurement function		yes	yes
Length	mm	2000	2000
Width	mm	1000	1000
Height	mm	1000	1800

Samples of customized scales for animals



Scales sized 1.40m × 0.7m × 1m, with castors for easy handling



Scales sized 2m×2m×1m and weighing range up to 3000 kg



Galvanised scales for cattle, sized 2m×1m×1.8m, with display made of acid-proof sheet



ZUPTOR



63-800 Gostyń, ul. Ogrodowa 6
 tel. 65 572 94 81, 65 572 50 90
 e-mail: biuro@zuptor.pl
www.zuptor.pl